

ONE OR TWO POLES FUSEHOLDER CLASS CC



CHARACTERISTICS

BASE: MOLDED POLYCARBONATE

TERMINAL: GALVANISED STEEL SCREWS

CONTACT CLIPS OF COPPER ALLOY, NICKEL PLATED

RANGE: 30 AMP-600 VOLTS

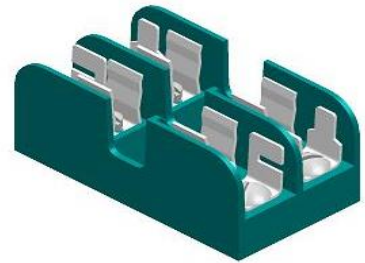
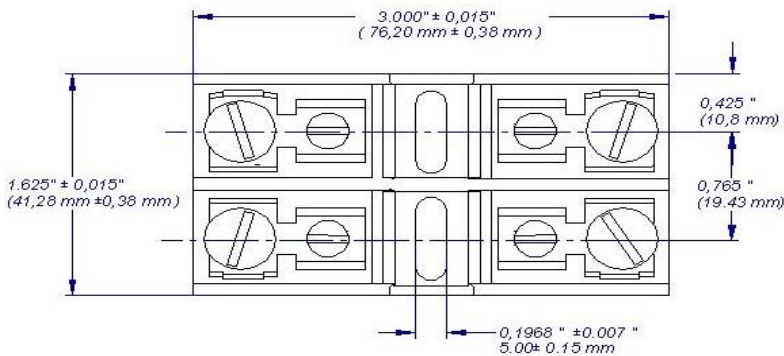
CONDUCTOR: 14-12-10 AWG.

DIMENSIONS: FUSE 13/32 X 1

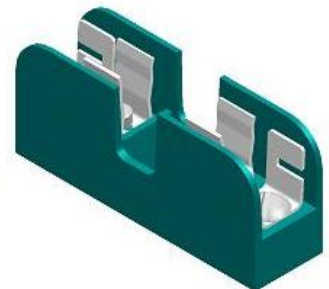
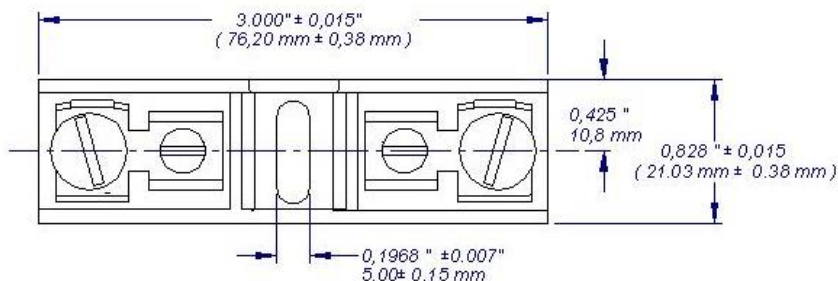
FUSE TYPES: QSQ AND CBO

STANDARDS: UL4248-1/2017 UL 4248-4/2007.

TWO POLES



ONE POLE



LAB TESTS

1. INTERRUPTION CAPACITY 10 kA – 600V
2. ISOLATION LEVEL 600 V
3. TEMPERATURE RISE
4. DIELECTRIC STRENGTH
5. TEST OF TRACTION AND TORQUE